

# Vapor Condenser

## Overview

Vapor Condensers are designed to protect equipment from harmful vapors and liquids that can break down pump oils and harm a pump's inner workings. Vapor removal is accomplished through transitioning a substance from a gaseous state to a liquid or solid state and collecting any condensed material that accumulates.

## Benefits

- Cooling flask technology maximizes cold surface area

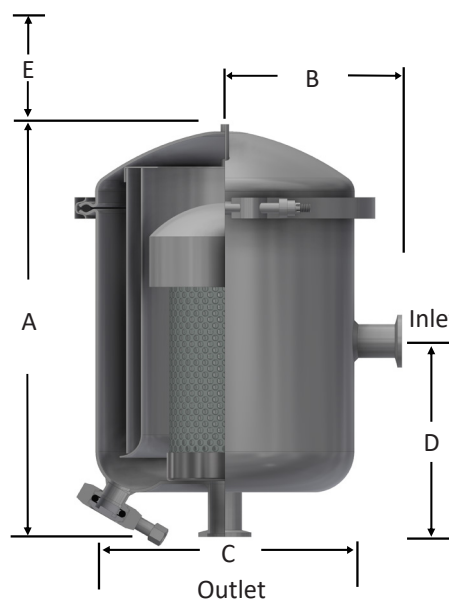
## Features

- 2ft<sup>2</sup>+ of cooled surface area
- 1x10<sup>-5</sup> mbar L/s leak rate
- Coolant inlet and outlet ports

## Options



- Multiple connection sizes and types available for process flow and water coolant tie points
- Cooling coils may be integrated on a variety of standard vacuum filter models
- Electro-polish finish
- Corrosion resistant 316 stainless steel tubing
- This Model has custom drain and special coolant port fittings



Inlet/Outlet	Assembly Part Number	Dimensions - inches				Suggested Service ht. E	Approx. Weight lbs
		A	B	C			
NW25	929832	13	5 3/8	7 5/8	4 1/2	10"	20
NW40	929833	13	5 3/8	7 5/8	4 1/2	10"	20
NW50	929855	13	5 3/8	7 5/8	4 1/2	10"	20
ISO100	TBD	13	5 3/8	7 5/8	4 1/2	10"	20