

Model EG

EBARA Gauge Controllers

Model EGC-1000, Model EGC-3000

EBARA Gauge Controllers are your complete solution for process measurement and control.

Compatible with all EBARA gauges, the Model EGC controllers can monitor the entire pressure range from 10^{-10} to 1500 mbar (10^{-10} to 1125 Torr) and the setpoint status.

FEATURES

- Automatic identification of the connected EBARA Gauges
- User selectable measurement unit (mbar, Torr, Pascal, micron)
- High resolution - 16 bit A/D converter
- Up to six adjustable setpoints with adjustable hysteresis, may be assigned to any channel
- Programmable 0 to 10 V chart recorder output with logarithmic / linear characteristics for each gauge or gauge combination (Model EGC-3000 only)
- Versatile, compact bench-top model design can be easily mounted in a panel or 19" rack
- Wide range power supply 90 to 250V, 50 to 60 Hz



APPLICATIONS

- Fore and high vacuum pressure measurement
- Pressure display in any vacuum range from just below atmosphere to ultra-high vacuum



Model EG

EBARA Gauge Controllers

SPECIFICATIONS

Model	Unit	EGC-1000	EGC-3000
Measuring Channels		1	3
Display		LED	LCD
Range	mbar Torr	$2 \times 10^{-10} \dots 1500$ $1.5 \times 10^{-10} \dots 1125$	$5 \times 10^{-10} \dots 1500$ $3.75 \times 10^{-10} \dots 1125$
Rate	1/s	10	
A/D Converter	bit	16	
Connectable Gauges with Display Range EGP EGPC EGPI EGT	mbar (Torr) mbar (Torr) mbar (Torr) mbar (Torr)	$5 \times 10^{-4} \dots 1000$ ($3.8 \times 10^{-4} \dots 750$) $5 \times 10^{-5} \dots 1500$ ($3.8 \times 10^{-5} \dots 1125$) $5 \times 10^{-10} \dots 1000$ ($3.8 \times 10^{-10} \dots 750$) $5 \times 10^{-10} \dots 1500$ ($3.8 \times 10^{-10} \dots 1125$)	
Measurement Unit (selectable)		mbar, Torr, Pascal, micron	
Setpoints		1	6
Setpoint Relays		1	1/2 or 3
Channel Assignment		Sensor dependent	Sensor dependent
Adjustment Range		Adjustable	Adjustable
Hysteresis		Potential-free change over contact	Potential-free change over contact
Relay Contact		30 / 1	30 / 1
Contact Rating	V AC / A V DC / A	60 / 0.5	60 / 0.5
Connector		D-Sub, 9-pin, male	D-Sub, 25-pin, female
Analog Output Range		0 ... 10.3 Volt, sensor analog output signal	0 ... 10.3 Volt, sensor analog output signal
Programmable Analog Output Connector		-- D-Sub, 9-pin, male	1 D-Sub, 9-pin, male
Interface (Digital) Connector		RS232C D-Sub, 9-pin, female	
Power Supply	V	90 ... 250	90 ... 250
Frequency	Hz	50 ... 60	50 ... 60
Consumption	W	≤ 30	≤ 65
Temperature Operation (Ambient)	°C (°F)	5 ... 50 (41 ... 122)	

Model EG

EBARA Gauge Controllers

MODEL TYPE DESCRIPTION

Model	Description
EGC-1000	Single Gauge Controller
EGC-3000	3 Gauge Controller

CABLES

Part Number	Description
EGCBL-01-03M	CABLE, GAUGE, EGPC. EGP, 3m / 9.9ft
EGCBL-01-05M	CABLE, GAUGE, EGPC. EGP, 5m / 16.4ft
EGCBL-01-10M	CABLE, GAUGE, EGPC. EGP, 10m / 33ft
EGCBL-01-15M	CABLE, GAUGE, EGPC. EGP, 15m / 49ft
EGCBL-01-20M	CABLE, GAUGE, EGPC. EGP, 20m / 65ft
EGCBL-01-30M	CABLE, GAUGE, EGPC. EGP, 30m / 98ft
EGCBL-02-03M	CABLE, GAUGE, EGPI, EGT, 3m / 9.9ft
EGCBL-02-05M	CABLE, GAUGE, EGPI, EGT, 5m / 16.4ft
EGCBL-02-10M	CABLE, GAUGE, EGPI, EGT, 10m / 33ft
EGCBL-02-15M	CABLE, GAUGE, EGPI, EGT, 15m / 49ft
EGCBL-02-20M	CABLE, GAUGE, EGPI, EGT, 20m / 65ft
EGCBL-02-30M	CABLE, GAUGE, EGPI, EGT, 30m / 98ft

Spare Parts

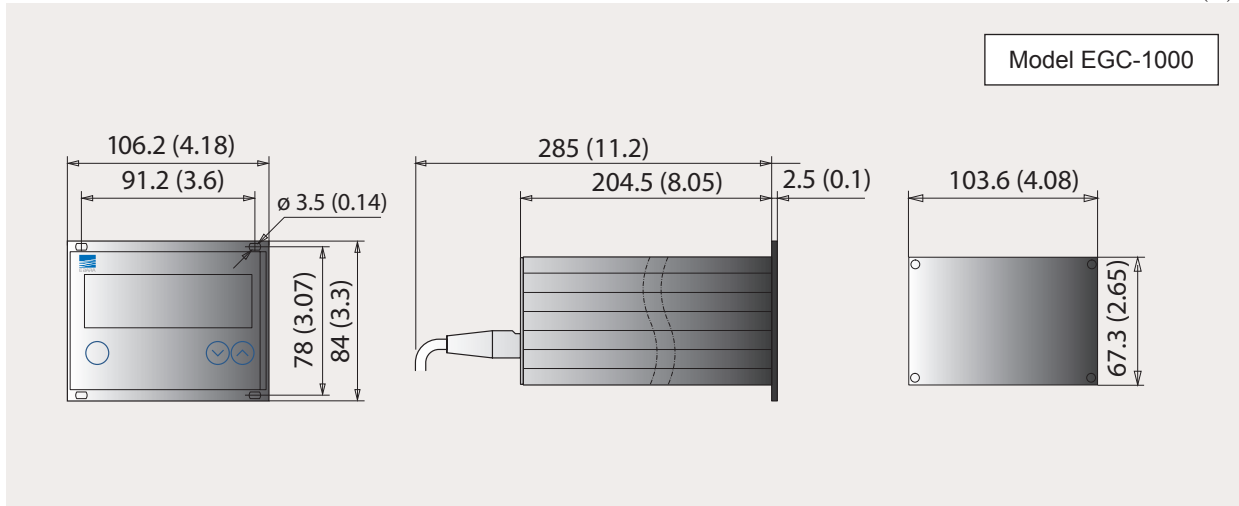
Adapter, Rackmount, 2HE / 3HE	EGC-P001
Cable, controller power, 120V, 2.5m	914353

Model EG

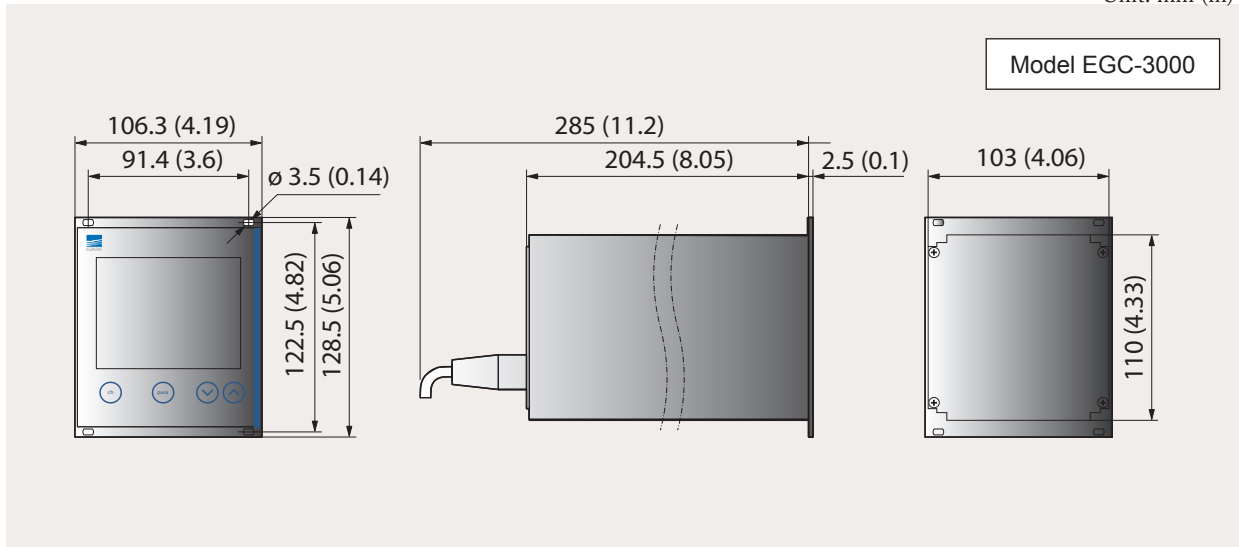
EBARA Gauge Controllers

DESIGN

Unit: mm (in)



Unit: mm (in)



EBARA Technologies, Inc.
51 Main Avenue, Sacramento, CA 95838
PHONE: 1-800-535-5376
FAX: 1-916-925-6654
www.ebaratech.com

“Model EGC” is our model code.
© 2014 EBARA Technologies Inc. All Rights Reserved
0182-L1209141, Rev C